



SPEED GATE TURNSTILES

Speed Gate Turnstiles are designed for functional and elegant entrances. Our model's different finish options enable architects and interior decorators to apply to various designs for indoor use.

LTOP 111 SPEED GATE TURNSTILE



Operation

Controlled or control-free entrance/exit in both directions.

Chassis

AISI 304 quality stainless steel. Optional: Black stainless steel.

Wing

Angular winged, 10 mm tempered glass. Optional: Smoke colored glass.

Upper Table

10 mm black tempered glass. Optional: Wood.

Functions

Operates bidirectionally and allows the passage of a single person only with its microprocessor control. Electronic passage memory feature saves in memory card swipes that occur before a passage is completed and allows them to pass without closing the wings. Optional: 2 x RS232 and 1 x RS485 communication ports.

Mechanism

With its adjustable mechanical torque control, the unit does not cause injury in the event of any jamming.

Sensors

6 reciprocal sensors in every corridor.

Emergency Mode

Turnstile switches to emergency mode upon the receipt of a signal from fire detection system and wings open. Optional: In case of power shortage, wings automatically switch to open position with the power supplied from the accumulator (Fail Safe).

Safety Level Setting

There are 2 security level adjustments that the customer can adjust. Unauthorized and reverse transitions are detected and voice / confidential notification is made.

Indicator

Led lighting around the top plate and transition leds. Led lighting on wings.

Operating Voltage

100-230 VAC. 47-60 Hz

Power Consumption

58W during passage, 9W during standby (For two wings).

Operating Temperature

0° / +70°

Passage Speed

~40 persons / minute.

Passage Width

50 cm

Weight

~79 kg (Single wing)

Security Level

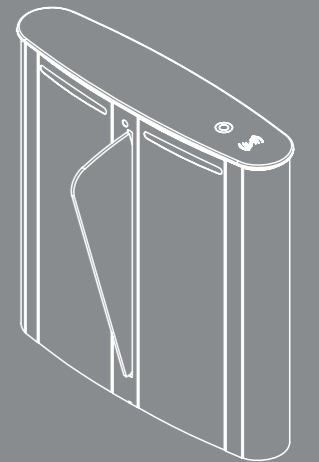
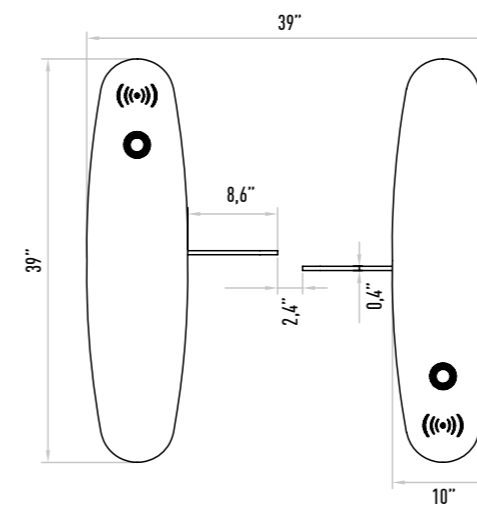
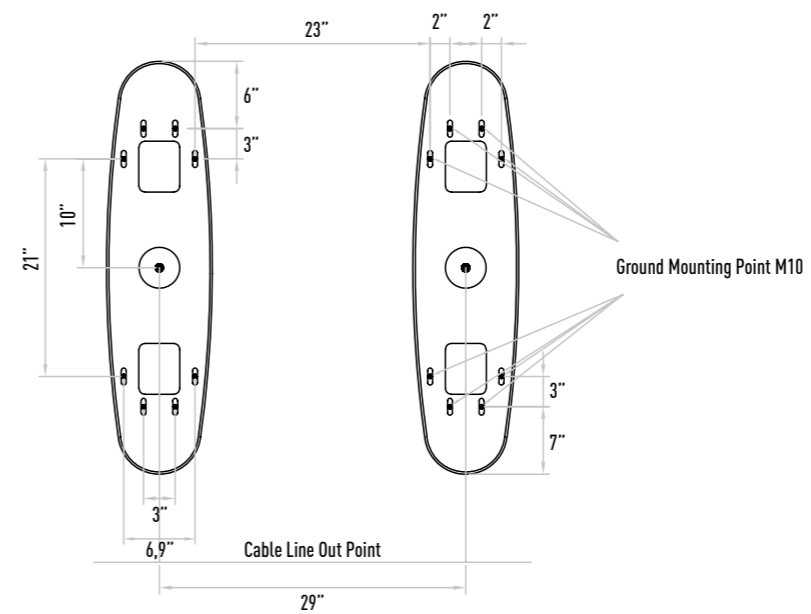
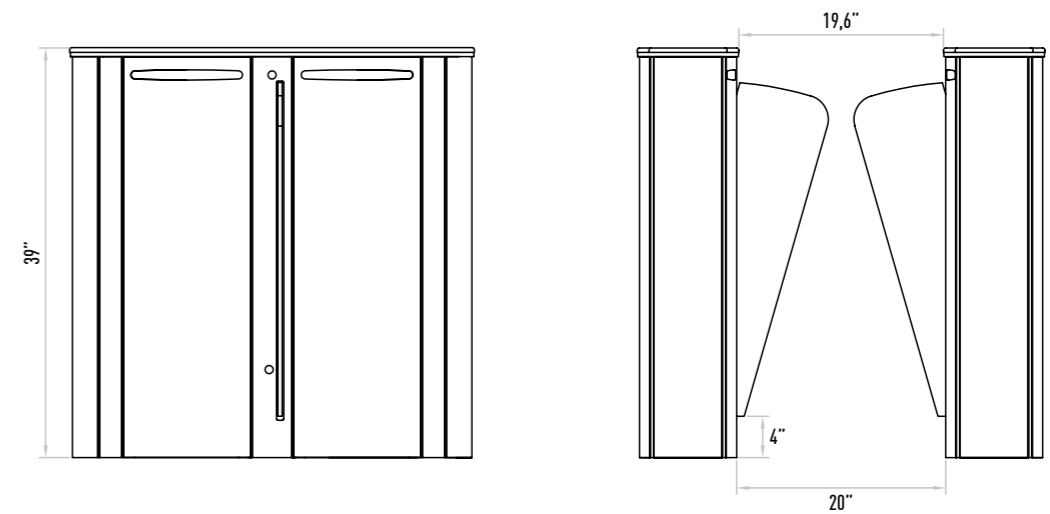
Deterrent.

Areas of Use

Suitable for indoor use.

Accessories

Logo engraving. Sticker. Remote control unit. Stainless steel reader apparatus. Meter. Button control unit. Stainless steel reader leg. Stainless steel bottom plate.



LTOP 111 H SPEED GATE TURNSTILE



Operation

Controlled or control-free entrance/exit in both directions.

Chassis

AISI 304 quality stainless steel. Optional: Black stainless steel.

Wing

Angular, double layer, 8 mm tempered glass. Optional: Smoke colored glass.

Upper Table

10 mm black tempered glass. Optional: Wood.

Functions

Operates bidirectionally and allows the passage of a single person only with its microprocessor control. Electronic passage memory feature saves in memory card swipes that occur before a passage is completed and allows them to pass without closing the wings. Optional: 2 x RS232 and 1 x RS485 communication ports.

Mechanism

With its adjustable mechanical torque control, the unit does not cause injury in the event of any jamming.

Sensors

6 reciprocal sensors in every corridor.

Emergency Mode

Turnstile switches to emergency mode upon the receipt of a signal from fire detection system and wings open. Optional: In case of power shortage, wings automatically switch to open position with the power supplied from the accumulator (Fail Safe).

Safety Level Setting

There are 2 security level adjustments that the customer can adjust. Unauthorized and reverse transitions are detected and voice / confidential notification is made.

Indicator

Led lighting around the top plate and transition leds. Led lighting on wings.

Operating Voltage

100-230 VAC. 47-60 Hz

Power Consumption

58W during passage, 9W during standby (For two wings).

Operating Temperature

0° / +70°

Passage Speed

~25 persons / minute.

Passage Width

90 cm

Weight

~85 kg (Single wing)

Security Level

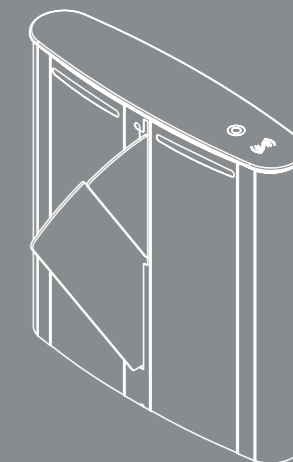
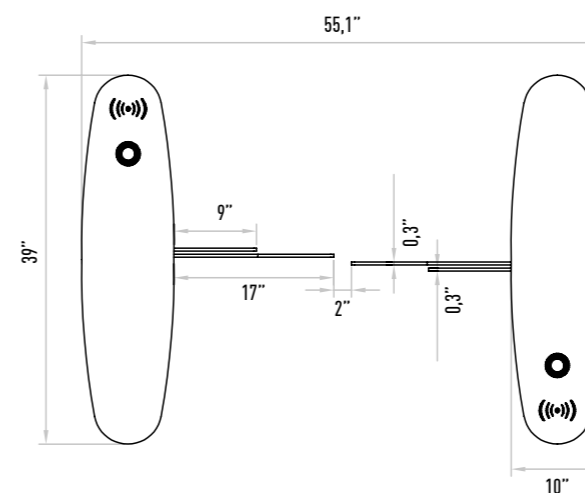
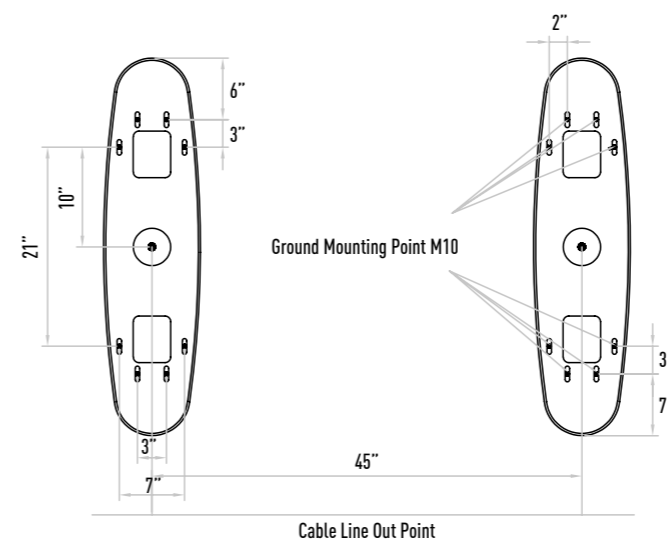
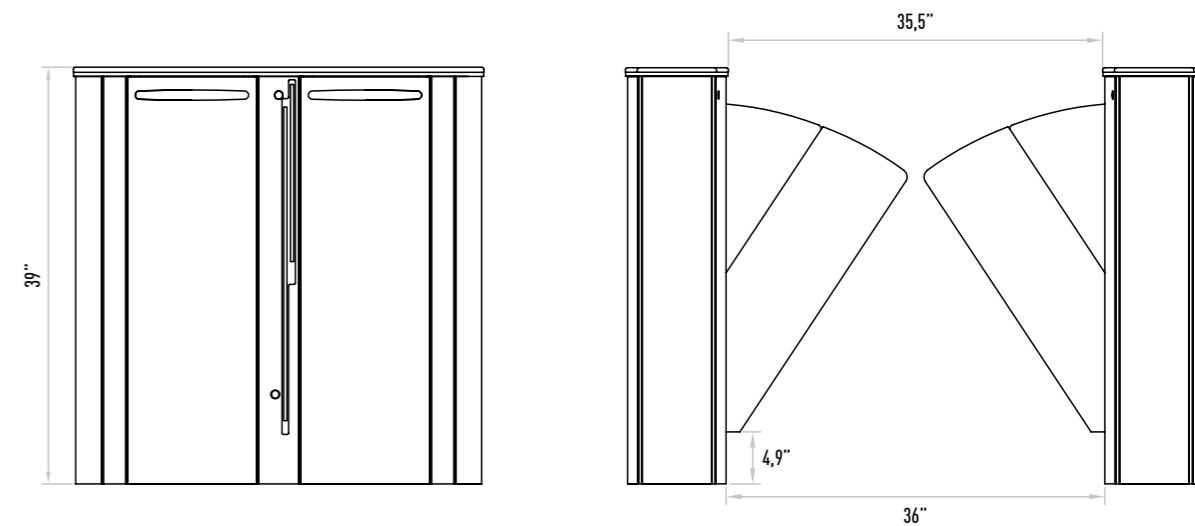
Deterrent.

Areas of Use

Suitable for indoor use.

Accessories

Logo engraving. Sticker. Remote control unit. Stainless steel reader apparatus. Meter. Button control unit. Stainless steel reader leg. Stainless steel bottom plate.





LTOP 101 SPEED GATE TURNSTILE

Operation

Controlled or control-free entrance/exit in both directions.

Chassis

AISI 304 quality stainless steel. Optional: Black stainless steel.

Wing

Angular winged, 10 mm tempered glass. Optional: Smoke colored glass.

Upper Table

10 mm black tempered glass. Optional: Wood.

Functions

Operates bidirectionally and allows the passage of a single person only with its microprocessor control. Electronic passage memory feature saves in memory card swipes that occur before a passage is completed and allows them to pass without closing the wings. Optional: 2 x RS232 and 1 x RS485 communication ports.

Mechanism

With its adjustable mechanical torque control, the unit does not cause injury in the event of any jamming.

Sensors

8 reciprocal sensors in every corridor.

Emergency Mode

Turnstile switches to emergency mode upon the receipt of a signal from fire detection system and wings open. In case of power shortage, wings automatically switch to open position with the power supplied from the accumulator (Fail Safe).

Safety Level Setting

With 4 security levels that can be defined as desired by the customer, turnstile is able to detect unauthorized passes and passes in the opposite direction and prevents or notifies, with audio or discreetly.

Indicator

Operating Voltage

100-230 VAC. 47-60 Hz

Power Consumption

84W during passage, 10W during standby (For two wings).

Operating Temperature

0° / +70°

Passage Speed

~40 persons / minute.

Passage Width

56 cm

Weight

~138 kg (Single wing)

Security Level

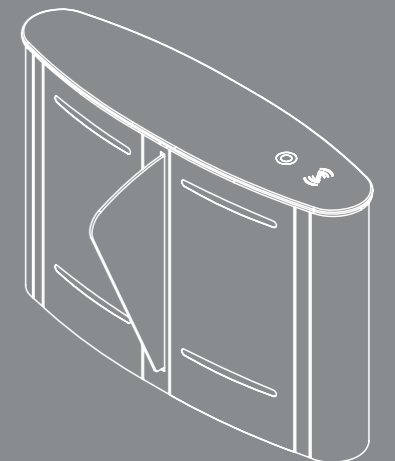
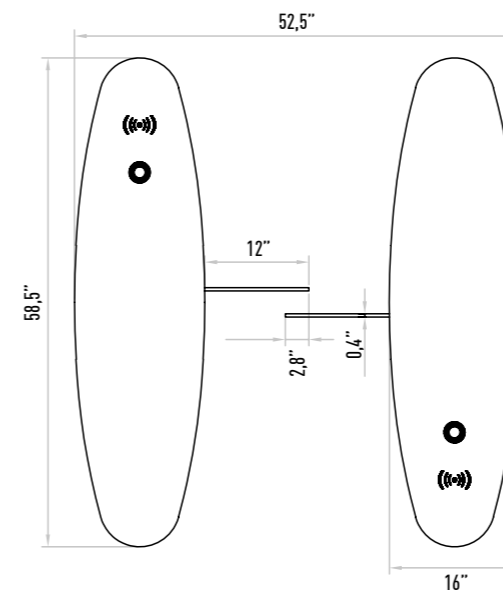
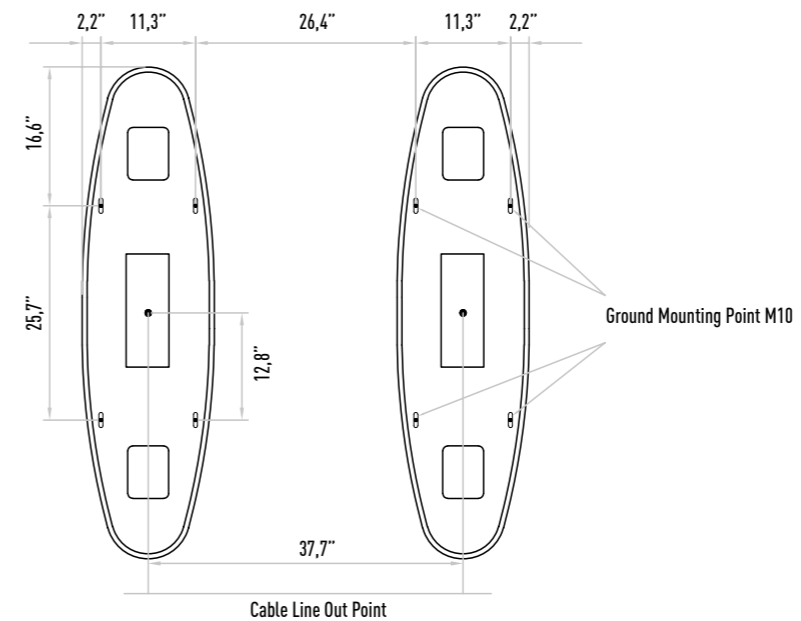
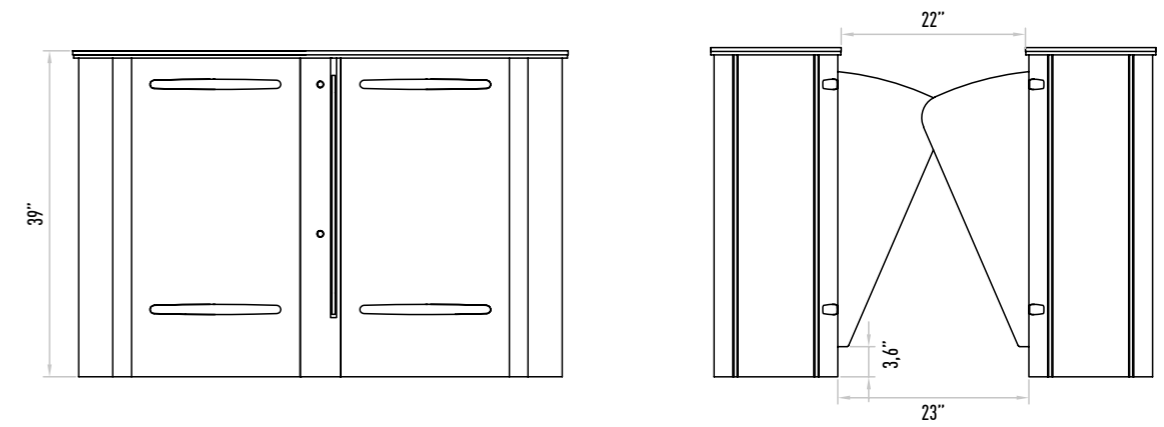
Deterrent.

Areas of Use

Suitable for indoor use.

Accessories

Logo engraving. Sticker. Remote control unit. Stainless steel reader apparatus. Meter. Button control unit. Stainless steel reader leg. Stainless steel bottom plate.





LTOP 101 H SPEED GATE TURNSTILE

Operation

Controlled or control-free entrance/exit in both directions.

Chassis

AISI 304 quality stainless steel. Optional: Black stainless steel.

Wing

Angular double stage 8 mm tempered glass. Optional: Smoke colored glass.

Upper Table

10 mm black tempered glass. Optional: Wood.

Functions

Operates bidirectionally and allows the passage of a single person only with its microprocessor control. Electronic passage memory feature saves in memory card swipes that occur before a passage is completed and allows them to pass without closing the wings. Optional: 2 x RS232 and 1 x RS485 communication ports.

Mechanism

With its adjustable mechanical torque control, the unit does not cause injury in the event of any jamming.

Sensors

7 reciprocal sensors in every corridor.

Emergency Mode

Turnstile switches to emergency mode upon the receipt of a signal from fire detection system and wings open. In case of power shortage, wings automatically switch to open position with the power supplied from the accumulator (Fail Safe).

Safety Level Setting

With 4 security levels that can be defined as desired by the customer, turnstile is able to detect unauthorized passes and passes in the opposite direction and prevents or notifies, with audio or discreetly.

Indicator

Operating Voltage

100-230 VAC. 47-60 Hz

Power Consumption

100W during passage, 10W during standby (For two wings).

Operating Temperature

0° / +70°

Passage Speed

~25 persons / minute.

Passage Width

90 cm

Weight

~146 kg (Single wing)

Security Level

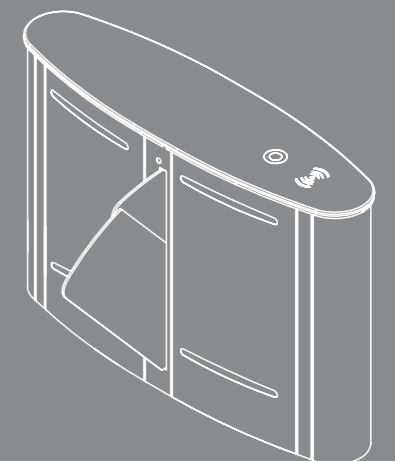
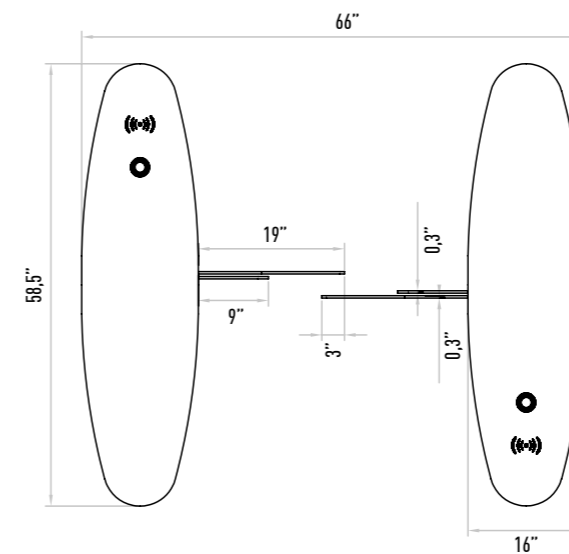
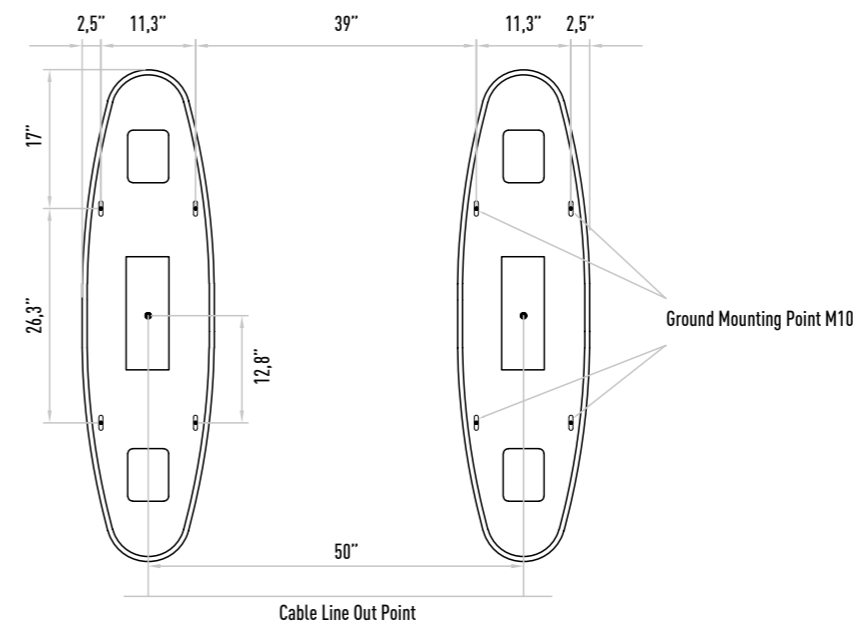
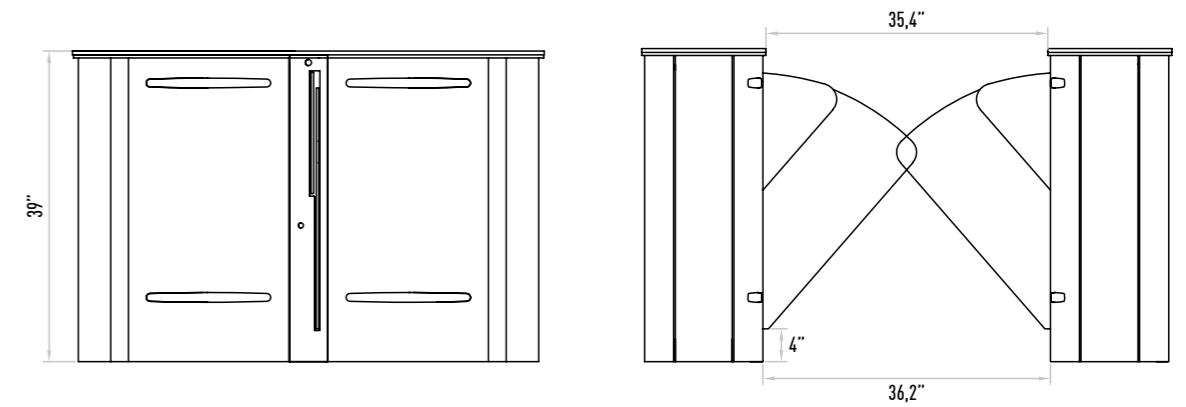
Deterrent.

Areas of Use

Suitable for indoor use.

Accessories

Logo engraving. Sticker. Remote control unit. Stainless steel reader apparatus. Meter. Button control unit. Stainless steel reader leg. Stainless steel bottom plate.





LTOP 201 SPEED GATE TURNSTILE

Operation

Controlled or control-free entrance/exit in both directions.

Chassis

AISI 304 quality stainless steel. Optional: Black stainless steel.

Wing

Angular winged 10 mm tempered glass. Optional: Smoke colored glass.

Upper Table

10 mm black tempered glass. Optional: Wood.

Functions

Operates bidirectionally and allows the passage of a single person only with its microprocessor control. Electronic passage memory feature saves in memory card swipes that occur before a passage is completed and allows them to pass without closing the wings. Optional: 2 x RS232 and 1 x RS485 communication ports.

Mechanism

With its adjustable mechanical torque control, the unit does not cause injury in the event of any jamming.

Sensors

8 reciprocal sensors in every corridor.

Emergency Mode

Turnstile switches to emergency mode upon the receipt of a signal from fire detection system and wings open. Optional: In case of power shortage, wings automatically switch to open position with the power supplied from the accumulator (Fail Safe).

Safety Level Setting

With 2 security levels that can be defined as desired by the customer, turnstile is able to detect unauthorized passes and passes in the opposite direction and prevents or notifies, with audio or discreetly.

Indicator

Operating Voltage

100-230 VAC. 47-60 Hz

Power Consumption

84W during passage, 10W during standby (For two wings).

Operating Temperature

0° / +70°

Passage Speed

~40 persons / minute.

Passage Width

56 cm

Weight

~142 kg (Single wing)

Security Level

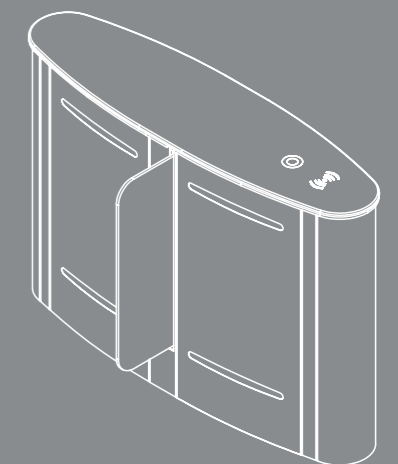
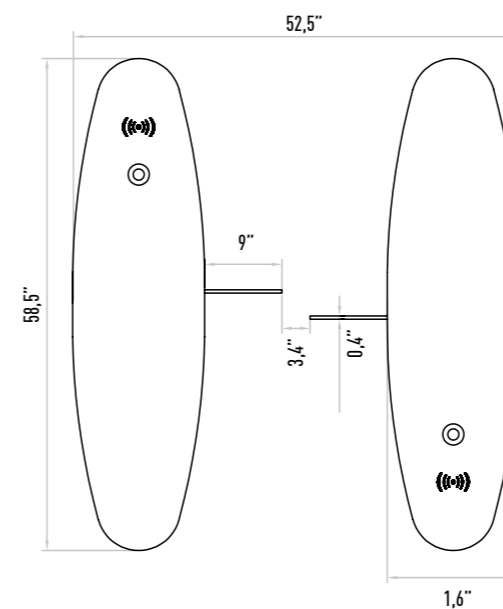
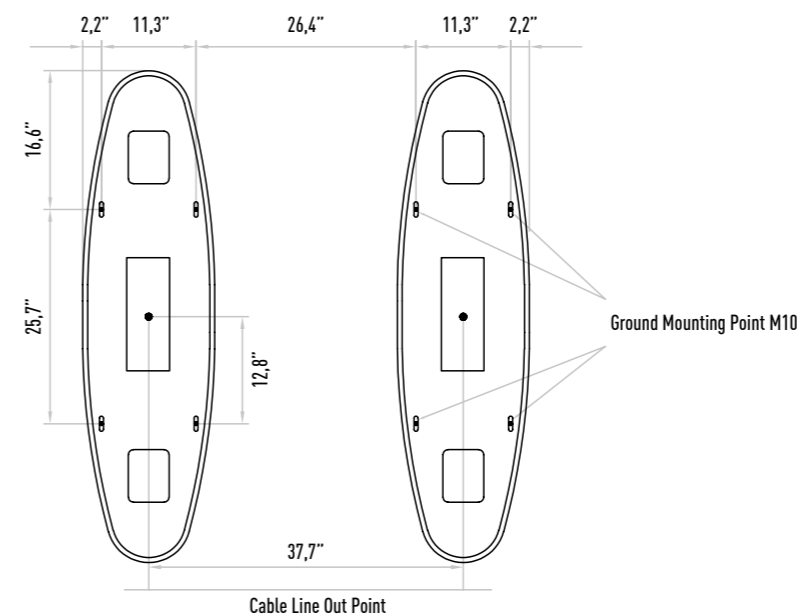
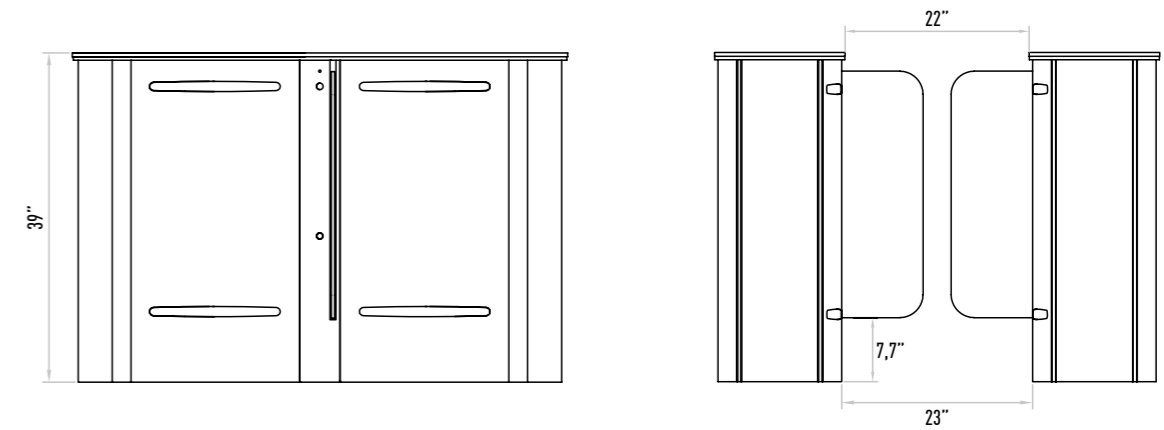
Deterrent.

Areas of Use

Suitable for indoor use.

Accessories

Logo engraving. Sticker. Remote control unit. Stainless steel reader apparatus. Meter. Button control unit. Stainless steel reader leg. Stainless steel bottom plate.





LTOP 301 SPEED GATE TURNSTILE

Operation

Controlled or control-free entrance/exit in both directions.

Chassis

AISI 304 quality stainless steel. Optional: Black stainless steel.

Wing

With high glass, linear winged 10 mm tempered glass. Height: 170 cm.
Optional: Smoke colored glass. Height: 130 cm / 150 cm

Upper Table

10 mm black tempered glass. Optional: Wood.

Functions

Operates bidirectionally and allows the passage of a single person only with its microprocessor control. Electronic passage memory feature saves in memory card swipes that occur before a passage is completed and allows them to pass without closing the wings. Optional: 2 x RS232 and 1 x RS485 communication ports.

Mechanism

With its adjustable mechanical torque control, the unit does not cause injury in the event of any jamming.

Sensors

8 reciprocal sensors in every corridor.

Emergency Mode

Turnstile switches to emergency mode upon the receipt of a signal from fire detection system and wings open. Optional: In case of power shortage, wings automatically switch to open position with the power supplied from the accumulator (Fail Safe).

Safety Level Setting

With 4 security levels that can be defined as desired by the customer, turnstile is able to detect unauthorized passes and passes in the opposite direction and prevents or notifies, with audio or discreetly.

Indicator

Led lighting around the top plate and transition leds.

Operating Voltage

100-230 VAC. 47-60 Hz

Power Consumption

120W during passage, 10W during standby (For two wings).

Operating Temperature

0° / +70°

Passage Speed

~40 persons / minute.

Passage Width

56 cm

Weight

~148 kg (Single wing)

Security Level

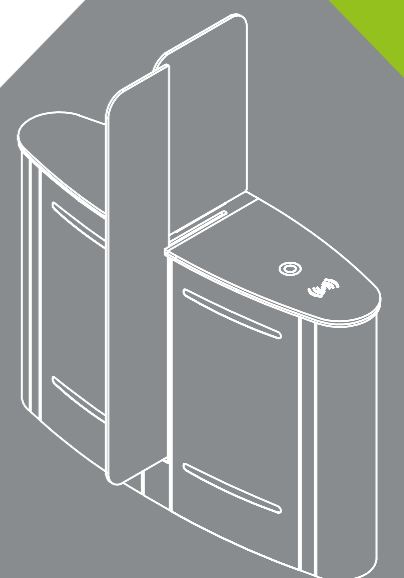
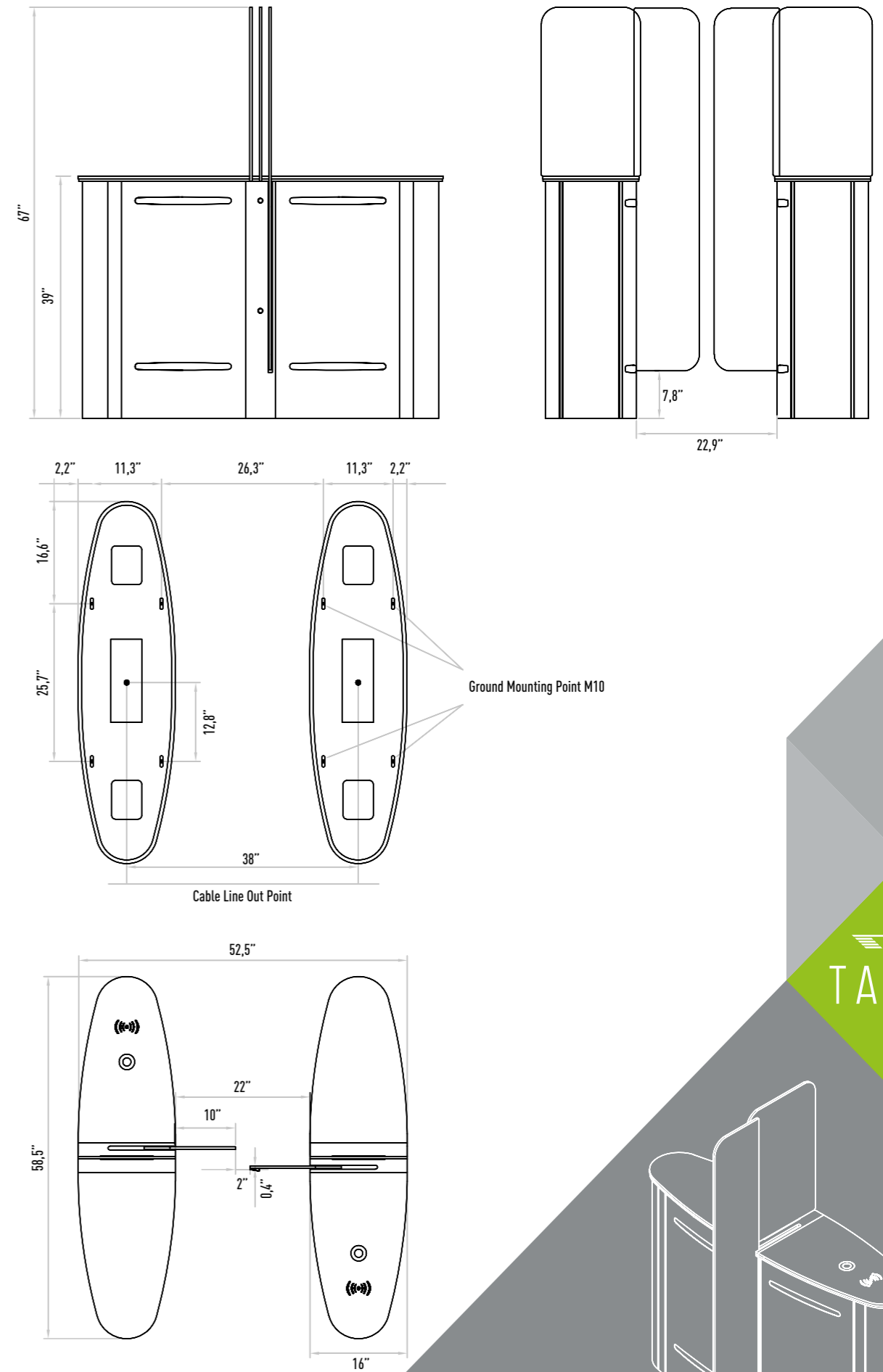
High Security.

Areas of Use

Suitable for indoor use.

Accessories

Logo engraving. Sticker. Remote control unit. Stainless steel reader apparatus. Meter. Button control unit. Stainless steel reader leg. Stainless steel bottom plate.



LTOP 401 SPEED GATE TURNSTILE



Operation

Controlled or control-free entrance / exit in both directions.

Chassis

AISI 304 quality stainless steel. Optional: Black stainless steel.

Wing

None.

Upper Table

10 mm black tempered glass.

Functions

Operation in either directions with microprocessor control and ability to detect side by side, successive and opposite passes thanks to upper level sensors, audio / silent alarm. Memory feature ensures that authorizations during passes are kept in memory, resulting in very fast entry and exit.

Mechanism

None.

Sensors

10 reciprocal sensors in every corridor. Optional: 16 reciprocal sensors.

Emergency Mode

Turnstile switches to emergency mode upon the receipt of a signal from fire detection system and passes in both directions become possible.

Safety Level Setting

With 4 security levels that can be defined as desired by the customer, turnstile is able to detect unauthorized passes and passes in the opposite direction and prevents or notifies, with audio or discreetly.

Indicator

Led lighting around the top plate and transition leds.

Operating Voltage

100-230 VAC. 47-60 Hz

Power Consumption

15W

Operating Temperature

0° / +70°

Passage Speed

~60 persons / minute.

Passage Width

50-150 cm

Weight

~47 kg (Single wing)

Security Level

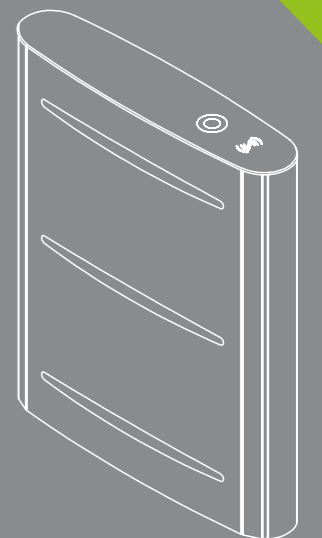
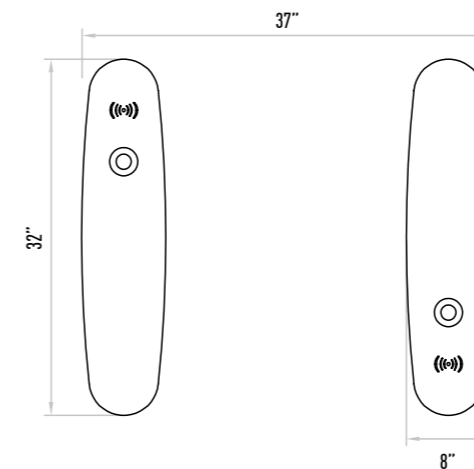
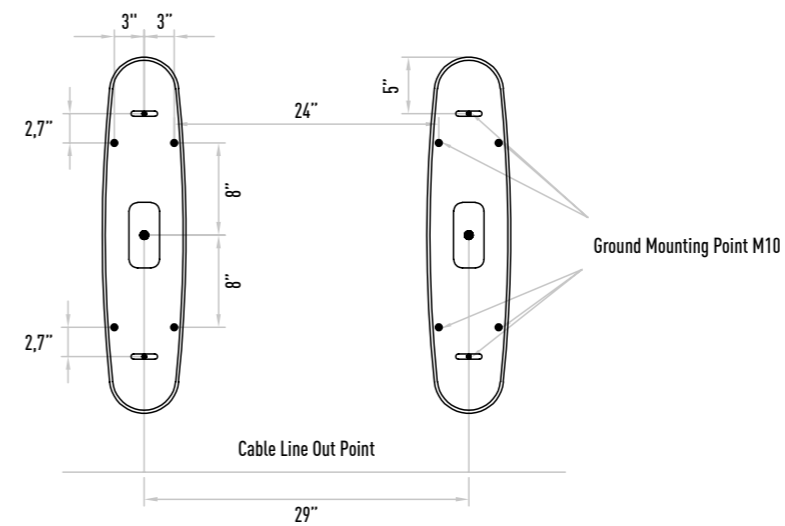
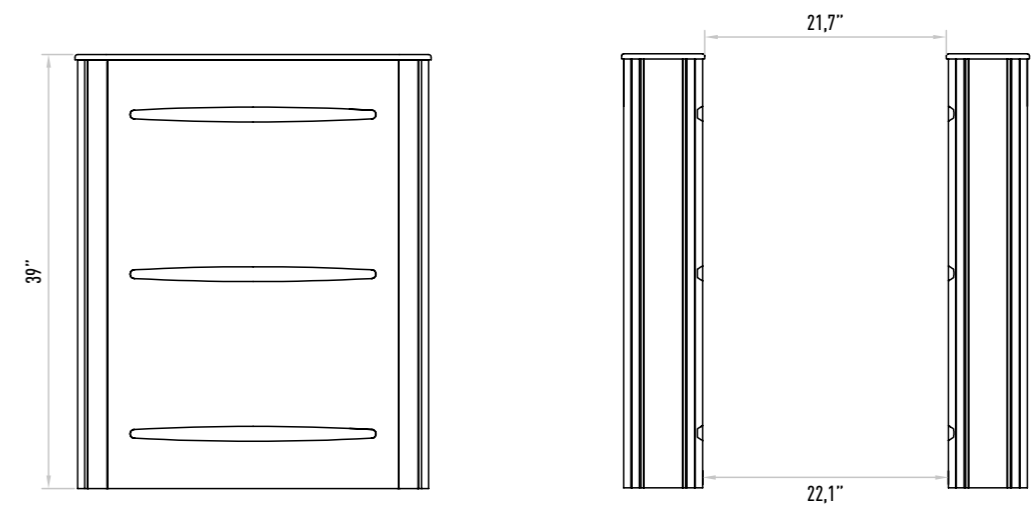
Deterrent.

Areas of Use

Suitable for indoor use.

Accessories

Remote control unit. Stainless steel reader apparatus. Meter. Button control unit. Stainless steel reader leg. Stainless steel bottom plate.





LTOP 501 SPEED GATE TURNSTILE

Operation

Controlled or control-free entrance / exit in both directions.

Chassis

AISI 304 quality stainless steel. Optional: Black stainless steel.

Wing

10 mm tempered glass that can open in either direction.

Optional: Smoke colored glass.

Upper Table

10 mm black tempered glass.

Functions

Operates bidirectionally and allows the passage of a single person only with its microprocessor control, electronic passage memory feature saves in memory card swipes that occur before a passage is completed and allows them to pass without closing the wings. Optional: 2 x RS232 and 1 x RS485 communication ports.

Mechanism

Wings are operated by means of a servomotor. Precision motor movement with 16 bit microcontroller and encoder support, and motor-locking in the event of unauthorized pass.

Sensors

14 reciprocal sensors in every turnstile.

Emergency Mode

Turnstile switches to emergency mode upon the receipt of a signal from fire detection system and wings open in predefined direction.

Safety Level Setting

With 4 security levels that can be defined as desired by the customer, turnstile is able to detect unauthorized passes and passes in the opposite direction and emits an audio or discreet warning.

Indicator

Led lighting around the top plate and transition leds.

Operating Voltage

100-230 VAC. 47-60 Hz

Power Consumption

20W during passage, 8W during standby (For two wings).

Operating Temperature

0° / +55°

Passage Speed

~60 persons / minute.

Wing Speed

0,6 sec (Opening - Closing).

Passage Width

55 cm

Weight

~105 kg (Single wing)

Security Level

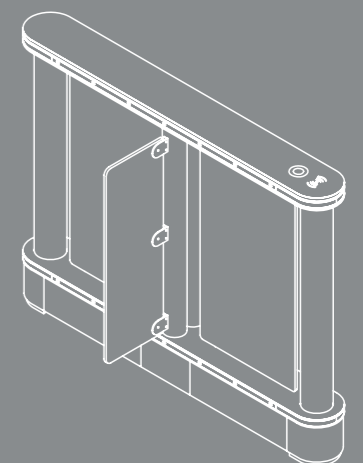
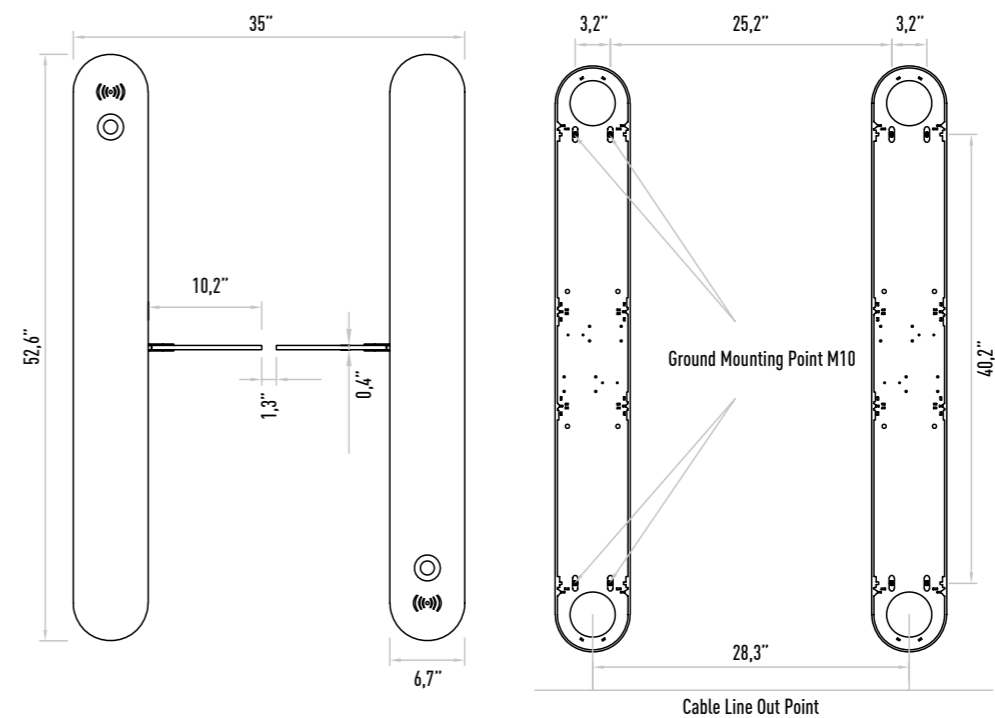
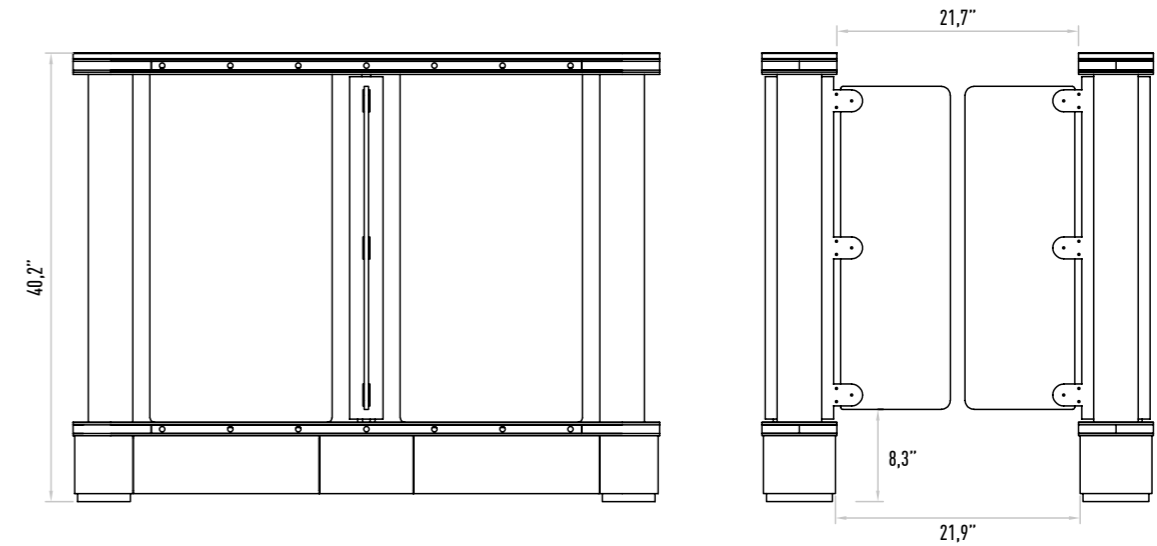
Deterrent.

Areas of Use

Suitable for indoor use.

Accessories

Logo engraving. Sticker. Remote control unit. Stainless steel reader apparatus. Meter. Button control unit. Stainless steel reader leg. Stainless steel bottom plate.





LTOP 501 H SPEED GATE TURNSTILE

Operation

Controlled or control-free entrance / exit in both directions.

Chassis

AISI 304 quality stainless steel. Optional: Black stainless steel.

Wing

10 mm tempered glass that can open in either direction.

Optional: Smoke colored glass.

Upper Table

10 mm black tempered glass.

Functions

Operates bidirectionally and allows the passage of a single person only with its microprocessor control, electronic passage memory feature saves in memory card swipes that occur before a passage is completed and allows them to pass without closing the wings. Optional: 2 x RS232 and 1 x RS485 communication ports.

Mechanism

Wings are operated by means of a servomotor. Precision motor movement with 16 bit microcontroller and encoder support, and motor-locking in the event of unauthorized pass.

Sensors

14 reciprocal sensors in every turnstile.

Emergency Mode

Turnstile switches to emergency mode upon the receipt of a signal from fire detection system and wings open in predefined direction.

Safety Level Setting

With 4 security levels that can be defined as desired by the customer, turnstile is able to detect unauthorized passes and passes in the opposite direction and emits an audio or discreet warning.

Indicator

Led lighting around the top plate and transition leds.

Operating Voltage

100-230 VAC. 47-60 Hz

Power Consumption

20W during passage, 8W during standby (For two wings).

Operating Temperature

0° / +55°

Passage Speed

~60 persons / minute.

Wing Speed

1 sec. (Opening - Closing).

Passage Width

90 cm

Weight

~112 kg (Single wing)

Security Level

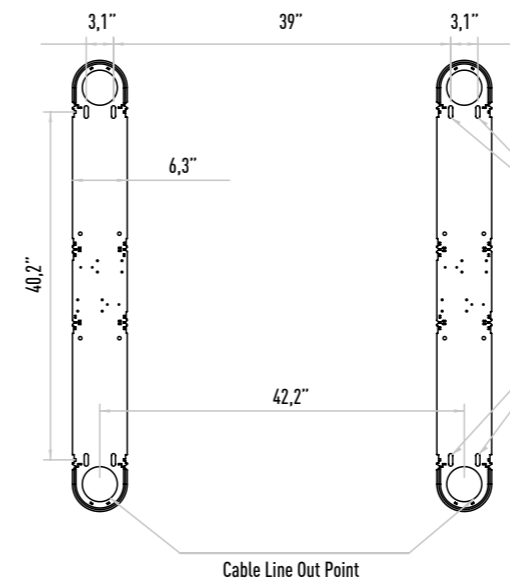
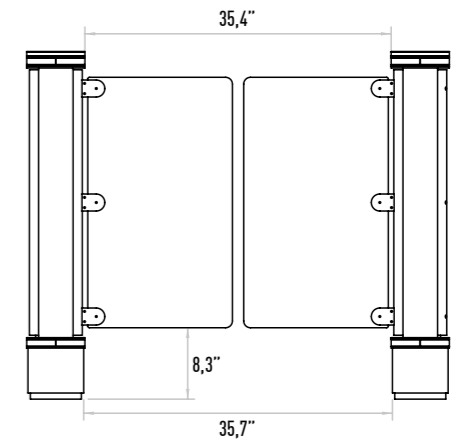
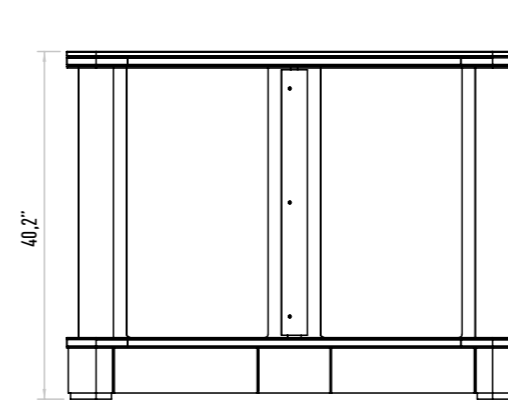
Deterrent.

Areas of Use

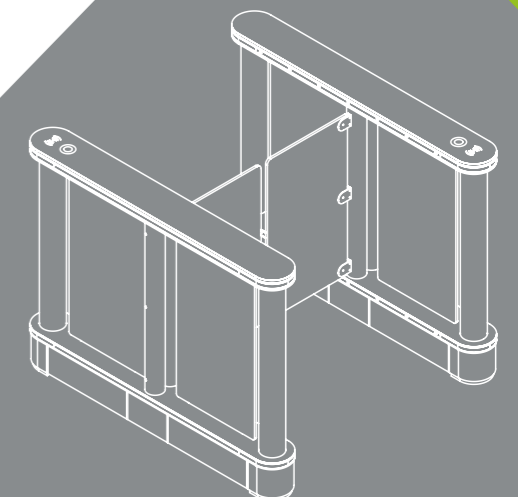
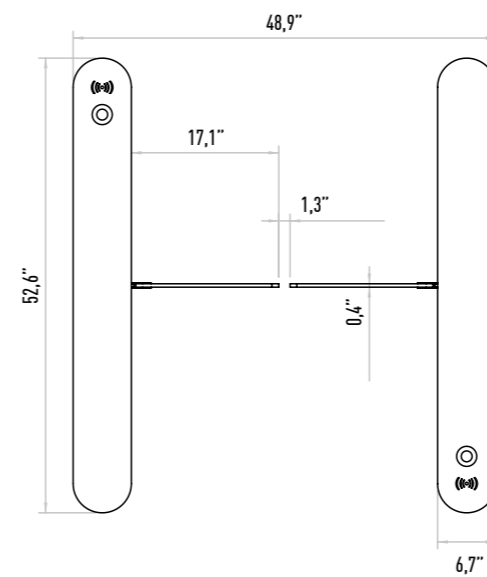
Suitable for indoor use.

Accessories

Logo engraving. Sticker. Remote control unit. Stainless steel reader apparatus. Meter. Button control unit. Stainless steel reader leg. Stainless steel bottom plate.



Ground Mounting Point M10





LTOP 551 SPEED GATE TURNSTILE

Operation

Controlled or control-free entrance / exit in both directions.

Chassis

AISI 304 quality stainless steel. Optional: Black stainless steel.

Wing

With high glass, linear winged 10 mm tempered glass that can open in either direction. Optional: Smoke colored glass.

Upper Table

10 mm black tempered glass.

Functions

Operates bidirectionally and allows the passage of a single person only with its microprocessor control, electronic passage memory feature saves in memory card swipes that occur before a passage is completed and allows them to pass without closing the wings. Optional: 2 x RS232 and 1 x RS485 communication ports.

Mechanism

Wings are operated by means of a servomotor. Precision motor movement with 16 bit microcontroller and encoder support, and motor-locking in the event of unauthorized pass.

Sensors

14 reciprocal sensors in every turnstile.

Emergency Mode

Turnstile switches to emergency mode upon the receipt of a signal from fire detection system and wings open in predefined direction.

Safety Level Setting

With 4 security levels that can be defined as desired by the customer, turnstile is able to detect unauthorized passes and passes in the opposite direction and emits an audio or discreet warning.

Indicator

Led lighting around the top plate and transition leds.

Operating Voltage

100-230 VAC. 47-60 Hz

Power Consumption

20W during passage, 8W during standby (For two wings).

Operating Temperature

0° / +55°

Passage Speed

~60 persons / minute.

Wing Speed

1 sec. (Opening - Closing).

Passage Width

55 cm

Weight

~120 kg (Single wing)

Security Level

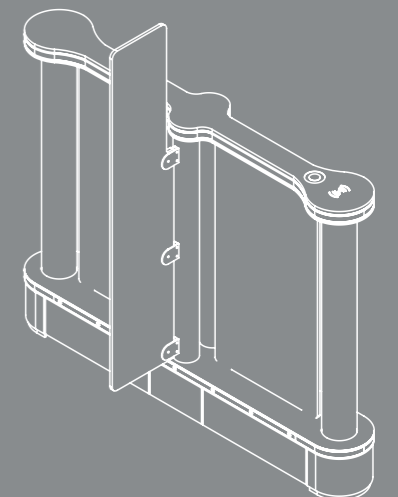
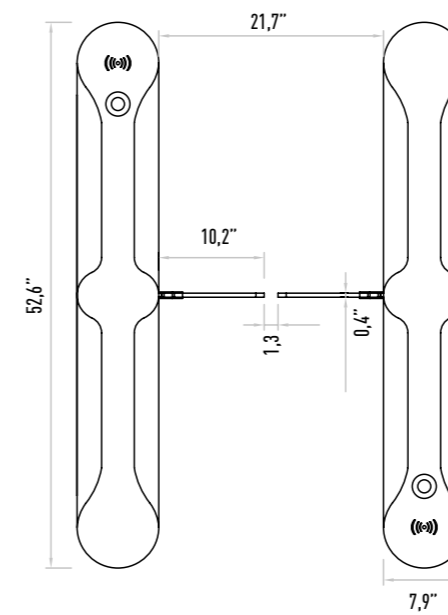
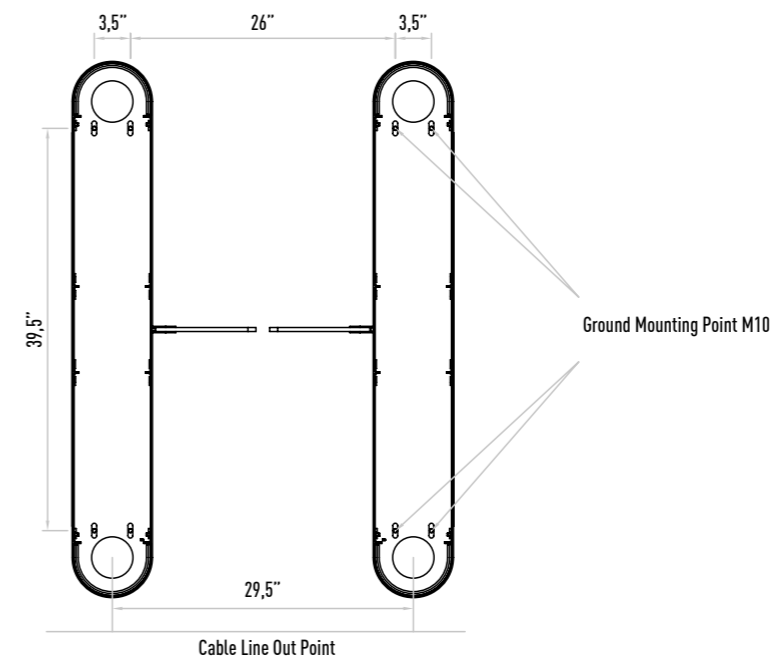
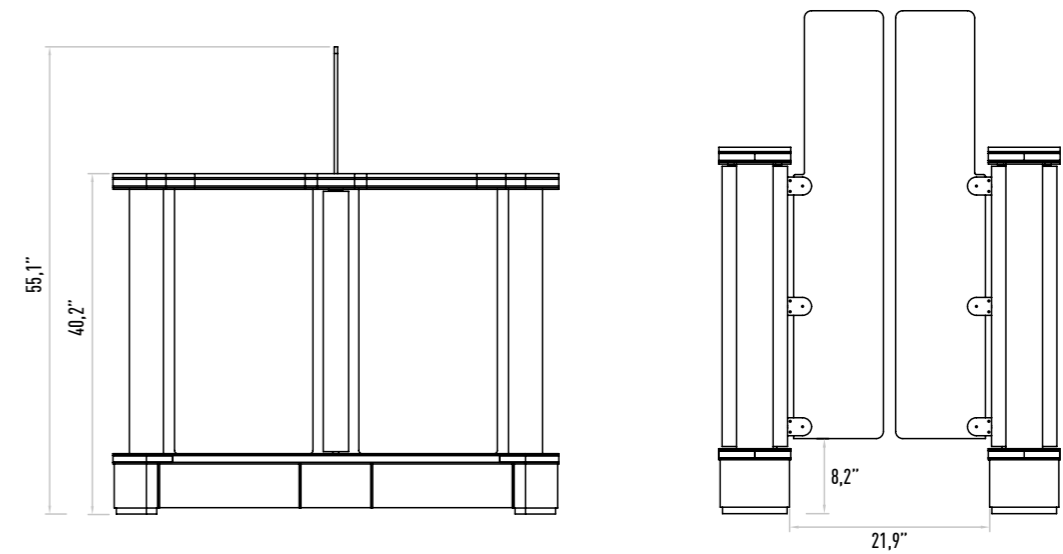
Deterrent.

Areas of Use

Suitable for indoor use.

Accessories

Logo engraving. Sticker. Remote control unit. Stainless steel reader apparatus. Meter. Button control unit. Stainless steel reader leg. Stainless steel bottom plate.





LTOP 551 H SPEED GATE TURNSTILE

Operation

Controlled or control-free entrance / exit in both directions.

Chassis

AISI 304 quality stainless steel. Optional: Black stainless steel.

Wing

With high glass, linear winged 10 mm tempered glass that can open in either direction. Optional: Smoke colored glass.

Upper Table

10 mm black tempered glass.

Functions

Operates bidirectionally and allows the passage of a single person only with its microprocessor control, electronic passage memory feature saves in memory card swipes that occur before a passage is completed and allows them to pass without closing the wings. Optional: 2 x RS232 and 1 x RS485 communication ports.

Mechanism

Wings are operated by means of a servomotor. Precision motor movement with 16 bit microcontroller and encoder support, and motor-locking in the event of unauthorized pass.

Sensors

14 reciprocal sensors in every turnstile.

Emergency Mode

Turnstile switches to emergency mode upon the receipt of a signal from fire detection system and wings open in predefined direction.

Safety Level Setting

With 4 security levels that can be defined as desired by the customer, turnstile is able to detect unauthorized passes and passes in the opposite direction and emits an audio or discreet warning.

Indicator

Led lighting around the top plate and transition leds.

Operating Voltage

100-230 VAC. 47-60 Hz

Power Consumption

20W during passage, 8W during standby (For two wings).

Operating Temperature

0° / +55°

Passage Speed

~60 persons / minute.

Wing Speed

1,5 sec. (Opening - Closing).

Passage Width

90 cm

Weight

~127 kg (Single wing)

Security Level

Deterrent.

Areas of Use

Suitable for indoor use.

Accessories

Logo engraving. Sticker. Remote control unit. Stainless steel reader apparatus. Meter. Button control unit. Stainless steel reader leg. Stainless steel bottom plate.

