

DHI-ASGB6XXK-X

Swing Turnstile



System Overview

ASGB6 series swing turnstile is a passing turnstile that integrates modules such as access control, turnstile control, and alarm. The access control management system is equipped with IC card reading.

Scene

Applicable to access control scenes, such as community, school, government, factory, campus and office building.

Technical Specification

Basic

Dimensions	1500 mm × 200 mm × 980 mm (59.06" × 7.87" × 38.58") (L × W × H)
Surface Texture	Ink brushed
Casing	SUS304
Barrier	Acrylic or stainless steel
Motor	DC brushless servo motor
IR Detector	12 pairs

Function

Anti-collision	Yes
Anti-pinck	Yes
Memory Mode	Yes
Anti-tailing	Yes
Sound & Light Alarm	Yes

- Barriers will be closed automatically if no one entered the turnstile after the identity is verified.
- Parameters can be restored to default settings.
- The locking and unlocking of barriers can be controlled by remote controller (optional).
- Support second unlock (unlock inside the passage) and memory mode.
- Support 4 types of security settings.
- The turnstile can stay open during fire emergency.
- Support mechanical and IR anti-pinch, and anti-collision.
- Support sound and light alarm, volume adjustment and various sound types.
- 9 passing modes: Pass with identity verified, not allowed to pass, and pass without restrictions, and you can use the three modes in any combination.
- Support adjusting unlocking and locking speed, pass duration, and locking delay duration.
- Support alarms of intrusion (entering and exiting), tailing, overstay, climbing, abnormal unlocking, abnormal barriers, abnormal IR, abnormal communication, and more.
- Support multiple authentication methods using face, fingerprint, QR code, CPU card reader/ID card reader and other modules.

People Counting	Yes
Alarm	Yes
Second Unlock	Yes

Performance

Lock/Unlock Speed	0.5–1.6 s (adjustable)
Pass Duration	2–60 s (adjustable)
Lock Delay Duration	0–60 s (adjustable)
MCBF	≥5 million times
Passing Frequency	20–60 people/minute
Passage Width	Standard: 600 mm Max: 1100 mm

General

Net Weight	75 kg (165.35 lb) (single-motor), 95 kg (209.44 lb) (double-motor)
Gross Weight	95 kg (209.44 lb) (single-motor), 115 kg (253.53) (double-motor)
Power Consumption	Single-motor module turnstile: ≤10W (standby), ≤130W (working) Double-motor module turnstile: ≤20W (standby), ≤260W (working)

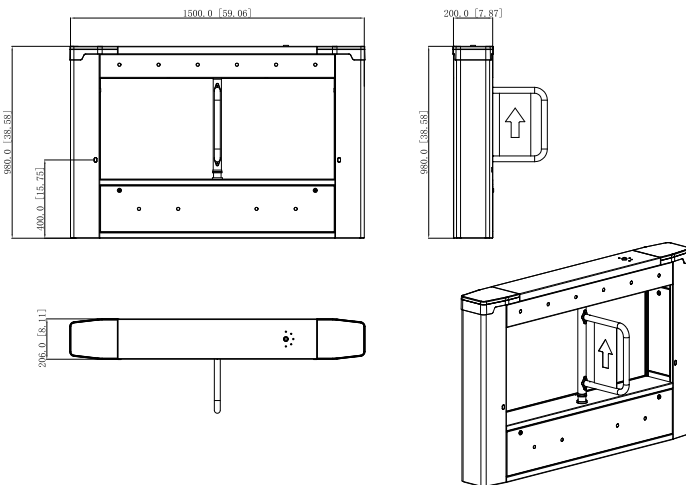
ASGB6 Series | DHI-ASGB6XXK-X

Packaging	Wooden box
Operating Temperature	-25°C to 70°C (-13°F to 158°F)
Operating Humidity	5%–90% (non-condensing)
Operating Environment	Indoor and outdoor

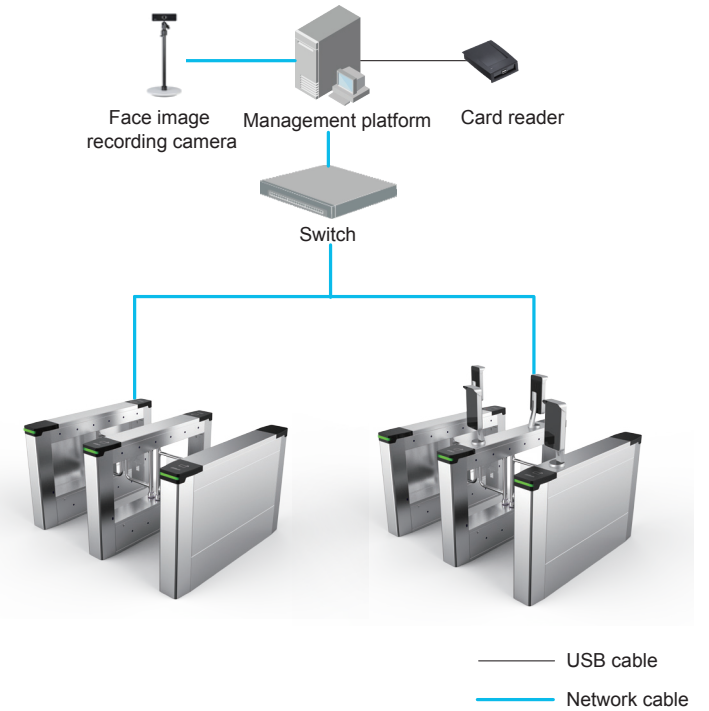
Ordering Information

Type	Model	Description
Swing Turnstile	DHI-ASGB610K-L	Swing Turnstile-DHI-ASGB610K-L
Swing Turnstile	DHI-ASGB620K-D	Swing Turnstile-DHI-ASGB620K-D
Swing Turnstile	DHI-ASGB610K-R	Swing Turnstile-DHI-ASGB610K-R
Swing Turnstile	DHI-ASGB611K-L	Swing Turnstile-DHI-ASGB611K-L
Swing Turnstile	DHI-ASGB621K-D	Swing Turnstile-DHI-ASGB621K-D
Swing Turnstile	DHI-ASGB622K-D	Swing Turnstile-DHI-ASGB622K-D
Swing Turnstile	DHI-ASGB611K-R	Swing Turnstile-DHI-ASGB611K-R

Dimensions (mm[inch])

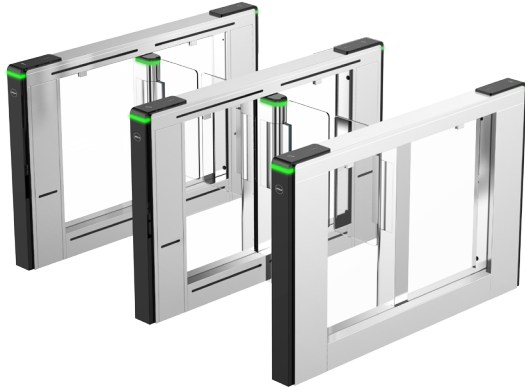


Application



DHI-ASGB6XXX-X

Swing Turnstile



System Overview

ASGB6 series swing turnstile is a passing turnstile that integrates modules such as access control, turnstile control, alarm. The access control management system is equipped with IC card reader.

Scene

Applicable to access control scenes, such as community, school, government, factory, campus, office building.

Technical Specification

Basic

Dimensions	1500 mm × 120 mm × 1000 mm (59" × 4.72" × 39.37") (L × W × H)
Surface Texture	Ink brushed
Casing	SUS304
Barrier	Acrylic
Motor	DC brushless servo motor
IR Detector	12 pairs

Function

Anti-collision	Yes
Anti-pinck	Yes
Memory Mode	Yes

- Barriers will be closed automatically if no one entered the turnstile after the identity is verified.
- Parameters can be restored to default settings.
- The lock and unlock of barriers can be controlled by remote controller (optional).
- Support second unlock and memory mode.
- 4 types of security settings.
- When receiving fire alarm signals, the turnstile will be normally open.
- Support mechanical anti-pinch and IR anti-pinch, anti-collision.
- Support sound and light alarm, volume adjustment and various audio choices.
- 9 passing modes: Pass with identity verified, not allowed to pass, and pass without restrictions, and you can use the three modes in any combination.
- Unlock and lock speed, pass duration, and lock delay duration are adjustable.
- Support intrusion alarm (entering and exiting), trailing alarm, stay overtime alarm, climbing turnstile alarm, unlock anomaly alarm, barrier anomaly alarm, IR anomaly alarm, communication anomaly alarm, and more.
- Support integration of face, fingerprint, QR code, CPU card reader/ID card reader module and more to achieve a combination of multiple authentication methods.

Anti-tailing	Yes
Sound & Light Alarm	Yes
People Counting	Yes
Alarm	Yes
Second Unlock	Yes

Performance

Lock/Unlock Speed	0.5–1.6 s (adjustable)
Pass Duration	2–60 s (adjustable)
Lock Delay Duration	0–60 s (adjustable)
MCBF	≥5 million times
Passing Frequency	20–40 people/minute
Passage Width	Standard: 600 mm Max: 1000 mm

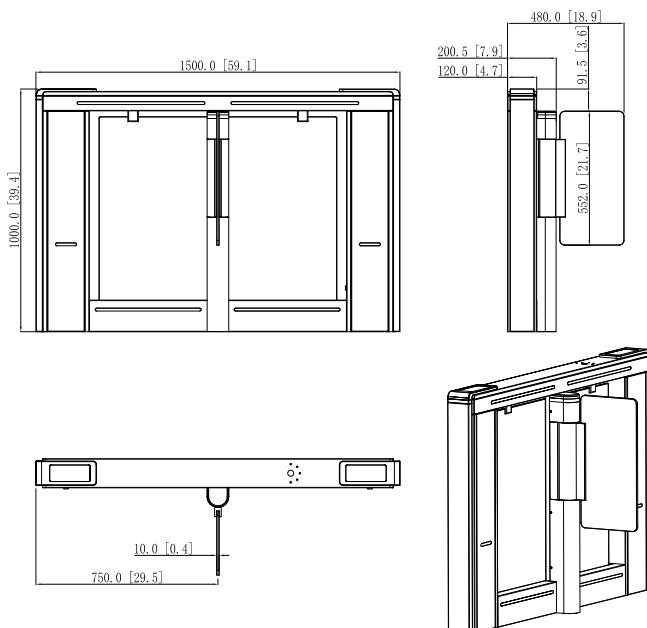
General

Net Weight	75 kg (165.35 lb) (single-motor), 95 kg (209.44 lb) (double-motor)
Gross Weight	115 kg (253.53 lb) (single-motor), 135 kg (297.62 lb) (double-motor)
Power Consumption	≤10W (standby), ≤130W (working)
Packaging	Wooden box
Operating Temperature	-25°C to 70°C (-13°F to 158°F)
Operating Humidity	5%–90% (non-condensing)
Operating Environment	Indoor

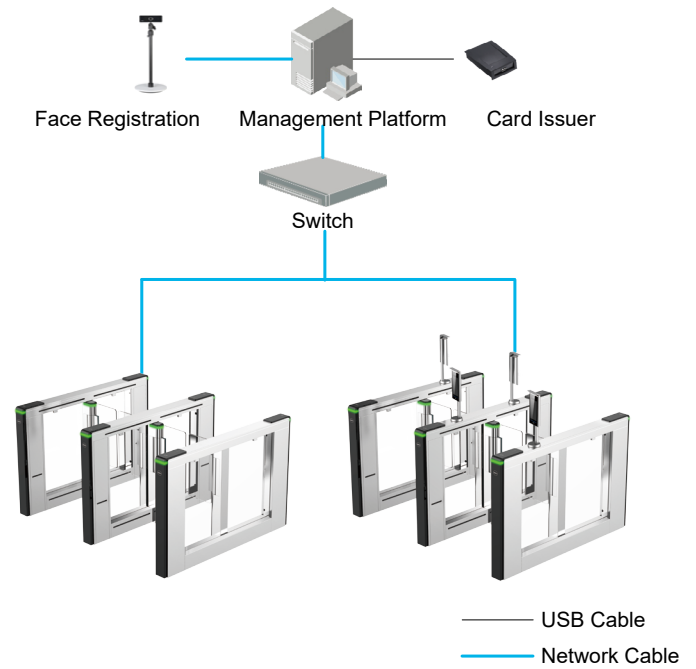
Ordering Information

Type	Model	Description
Swing Turnstile	DHI-ASGB610X-L	Swing Turnstile-DHI-ASGB610X-L
Swing Turnstile	DHI-ASGB620X-D	Swing Turnstile-DHI-ASGB620X-D
Swing Turnstile	DHI-ASGB610X-R	Swing Turnstile-DHI-ASGB610X-R
Swing Turnstile	DHI-ASGB611X-L	Swing Turnstile-DHI-ASGB611X-L
Swing Turnstile	DHI-ASGB621X-D	Swing Turnstile-DHI-ASGB621X-D
Swing Turnstile	DHI-ASGB622X-D	Swing Turnstile-DHI-ASGB622X-D
Swing Turnstile	DHI-ASGB611X-R	Swing Turnstile-DHI-ASGB611X-R

Dimensions (mm[inch])

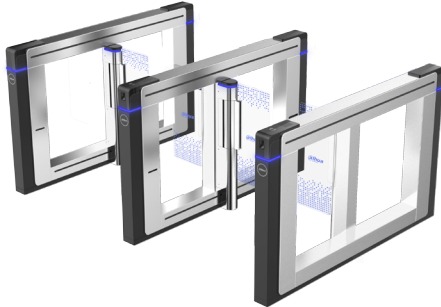


Application



DHI-ASGB8XXX-X

Dahua Swing Turnstile



- Integrated access control module, turnstile control module, alarm module, and more
- IC card reader standard; fingerprint sensor, QR code, and face recognition modules can be added as needed
- Wired system: RS-485 and RS-232
- Applicable to indoor environment, such as industrial parks, office buildings, schools, factories, CBD, and residential areas

Series Overview

DHI-ASGX8XXX-X Swing Turnstile integrates functions such as access control and alarms. With the included IC card reading module, the turnstile can work with additional modules to form an access control system, such as a fingerprint scanner, QR code and face recognition device.

Scene

Applicable to residential areas, schools, governments, factories, industrial zones, office buildings, etc.

Technical Specification

Basic

Dimensions	1,500 mm × 120 mm × 1,000 mm (59.05" × 47.20" × 39.37")
Barrier	Acrylic
Motor	DC brushless servo motor
Light Curtain	20 pairs
IR Detector	10 pairs

Function

Anti-collision	Yes
Anti-pinch	Yes
Memory Mode	Yes
Anti-tailing	Yes
Sound & Light Alarm	Yes
People Counting	Yes
Alarm	Yes
Second Unlock	Yes

Performance

Lock/Unlock Speed	0.6 s–2.4 s (adjustable)
-------------------	--------------------------

Pass Duration	2 s–60 s (adjustable)
Lock Delay Duration	0 s–60 s (adjustable)
MCBF	≥ 5 million times
Passing Frequency	20–60 people/minute
Passage Width	Standard: 600 mm
Rust Protection Level	210H
Net Passage Width	Standard passage width: 600 mm At most 1,000 mm acrylic barriers can be customized
Casing	SUS304 2.0 mm

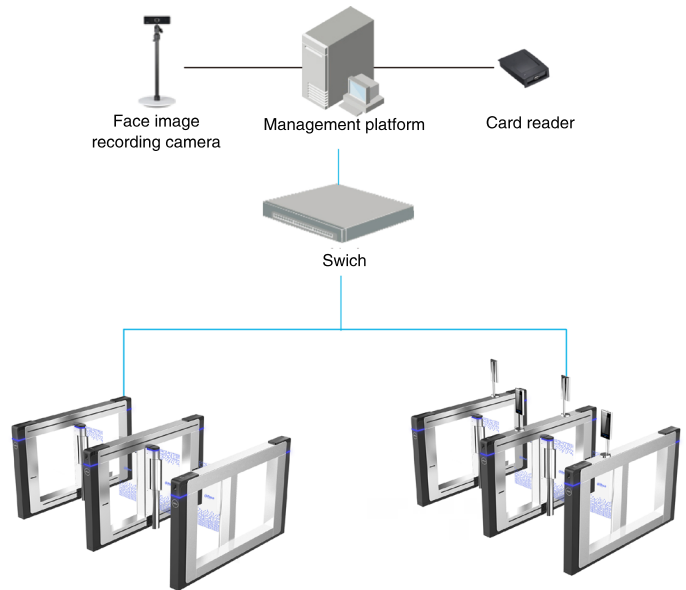
General

Net Weight	Single turnstile module ≤ 89 kg (196.21 lb) Double turnstile modules ≤ 128 kg (282.19 lb)
Gross Weight	Single turnstile module ≤ 113 kg (249.12 lb) Double turnstile modules ≤ 140 kg (308.65 lb)
Power Consumption	Single-motor module turnstile: ≤ 20 W (standby), ≤ 130 W (working) Double-motor module turnstile: ≤ 40 W (standby), ≤ 260 W (working)
Packaging	Wooden box
Operating Temperature	-10 °C to +60 °C (+14 °F to +140 °F)
Operating Humidity	5%–93% (RH) (non-condensing)
Operating Environment	Indoor

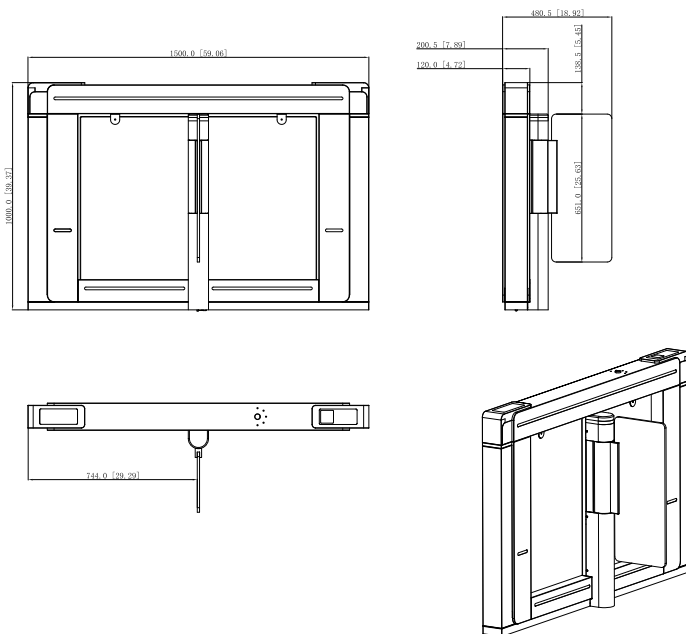
Ordering Information

Type	Model	Description
Swing Turnstile	DHI-ASGB810X-L	Dahua Swing Turnstile (single turnstile module left L, indoor)
Swing Turnstile	DHI-ASGB820X-D	Dahua Swing Turnstile (single turnstile module middle D, indoor)
Swing Turnstile	DHI-ASGB810X-R	Dahua Swing Turnstile (single turnstile module right, indoor)
Swing Turnstile	DHI-ASGB811X-L	Dahua Swing Turnstile (single turnstile module left L, one face recognition terminal installation hole, indoor)
Swing Turnstile	DHI-ASGB821X-D	Dahua Swing Turnstile (single turnstile module middle D, one face recognition terminal installation hole, indoor)
Swing Turnstile	DHI-ASGB822X-D	Dahua Swing Turnstile (single turnstile module middle D, two face recognition terminal installation holes, indoor)
Swing Turnstile	DHI-ASGB811X-R	Dahua Swing Turnstile (single turnstile module right R, one face recognition terminal installation holes, indoor)

Application



Dimensions (mm[inch])



DHI-ASGB8XXY-X

Swing barrier



System Overview

Swing turnstiles of 8 series Y model integrate access control module, turnstile control module, alarm module, and more. Support IC card reading function; fingerprint sensor, bar code reader, and face recognition modules are custom; adopt wired system: RS-485 and RS-232.

Scene

Applicable to outdoor environment like industrial parks, office buildings, schools, factories, CBD, residential areas, and more.

Technical Specification

Basic

Product Dimensions	1600 mm × 220 mm × 1000 mm (62.99" × 8.66" × 39.37")
Surface Processing	Nanometer film
Casing Material	SUS304 1.5 mm
Barrier Material	Acrylic
Motor Type	Brushless servo motor
Light Curtain	20 pairs
IR Detector	10 pairs
Digital Quantity Port	2 I/O ports

Functions

RS-232 port	1 for debugging
Anti-collision	Yes
Anti-pinch	Yes

- Brushless servo motor.
- The motor can be used more than 5 million times.
- Barriers will be closed automatically if no one enters the turnstile after the identity is verified.
- Parameters can be restored to default settings.
- 20 pairs of IR light curtain and 10 pairs of IR detector.
- Support sound and light alarm prompt and volume adjustment.
- The lock and unlock of barriers can be controlled by remote controller (not provided).
- 4 types of security settings.
- When receiving fire alarm signals, the turnstile will be normally open, and the turnstile can output alarm signals.
- Mechanical anti-pinch and IR anti-pinch; anti-collision.
- 9 passing modes: Pass with identity verified, not allowed to pass, and pass without restrictions, and you can use the three modes in any combination.
- Unlock and lock speed, pass duration, and lock delay duration are adjustable.
- Support second unlock, memory mode, and unlock settings after power-off.
- Support intrusion alarm (entering and exiting), trailing alarm, stay overtime alarm, climbing turnstile alarm, unlock anomaly alarm, barrier anomaly alarm, IR anomaly alarm, communication anomaly alarm, and more.
- Support integration of face, fingerprint, QR code, CPU card reader/ ID card reader module and more to achieve a combination of multiple authentication.

Memorizing	Yes
Anti-shadowing	Yes
Unlock after Power-off	Not support
Sound and Light Prompt	Yes
Counting	Yes

Performance

Alarm	Yes
Lock and Unlock Speed	0.6 s–1.6 s, adjustable
Passing Duration	2 s–60 s, adjustable
Lock Delay	0 s–60 s, adjustable
Rust Protection Level	210H
IP Grade	IPX4
Lifetime	≥ 5 million times
Passing Frequency	20 people/minute–40 people/minute

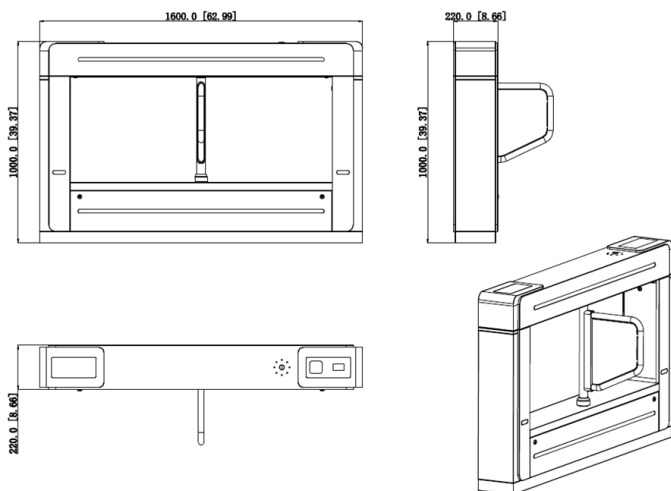
General

Noise Grade	Less than 60dB within 1.5 meters
Net Passage Width	Standard passage width: 600 mm Maximum custom passage width: 1200 mm
Gross Weight	Single-motor: ≤ 127 kg (279.99 lb) Double-motor: ≤ 137 kg (302.03 lb)
Net Weight	Single-motor: ≤ 100 kg (220.46 lb) Double-motor: ≤ 110 kg (242.51 lb)
Packing Material	Carton + wooden pallet
Power Supply Mode	AC: 100V–240V 1.5A 50/60HZ
Power Consumption	Single-motor: standby ≤ 20w, working ≤ 100w Double-motor: standby ≤ 40w, working ≤ 200w
Working Temperature	-30°C to 70°C (-22°F to 158°F)
Working Humidity	10%RH-95%RH
Working Environment	Outdoor

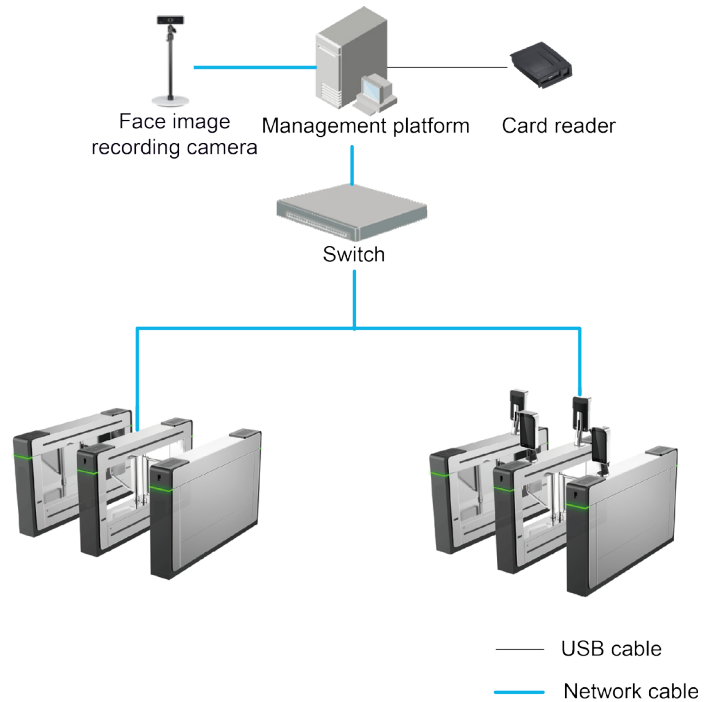
Ordering Information

Type	Model	Description
Swing Turnstile	DHI-ASGB810Y-L	Swing barrier-DHI-ASGB810Y-L
	DHI-ASGB820Y-D	Swing barrier-DHI-ASGB820Y-D
	DHI-ASGB810Y-R	Swing barrier-DHI-ASGB810Y-R
	DHI-ASGB811Y-L	Swing barrier-DHI-ASGB811Y-L
	DHI-ASGB821Y-D	Swing barrier-DHI-ASGB821Y-D
	DHI-ASGB822Y-D	Swing barrier-DHI-ASGB822Y-D
	DHI-ASGB811Y-R	Swing barrier-DHI-ASGB811Y-R

Dimensions (mm[inch])



Application



DHI-ASGG520T

Tripod Turnstile



System Overview

The ASGG5 series tripod turnstile is an access control equipment fitted with an access controller, arm control module, alarm module, and more. It can form a comprehensive access control system if expanded with other devices, such as an IC card reader, fingerprint scanner, QR code reader, and face recognition module.

Scene

Applicable to residential areas, schools, government facilities, factories, industrial parks, office buildings, and more.

Technical Specification

Basic

Product Dimensions	1200 mm × 200 mm × 980 mm (47.24" × 7.87" × 38.58")
Casing	Cabinet Thickness SUS304 1.5 mm (0.06")
Arm Material	Stainless steel

Function

Anti-collision	Yes
Memory Mode	Yes
Anti-trailing	Yes
Sound and Light Prompt	Yes
People Counting	Yes
Alarm	Yes

Performance

Unlocking Duration	2–60 s (5 s by default)
MCBF	> 3,000,000
Passing Frequency	20–40 people/minute
Passage Width	600 mm (23.62")

- Anti-collision
- Adjustable unlock duration
- Locks the arms after the unlock duration
- Locks or unlocks the turnstile with a remote control (optional)
- Reset parameters using the configuration application
- Sound and light prompts and adjustable volume
- Supports memory mode
- Supports unlocking the arms when powered off
- MCBF > 3,000,000
- Turns to always open status when it receives a fire alarm
- Supports outputting alarm signals
- Supports 9 passing modes, including passing with identity verification, no passing, and free passing
- Integrates face recognition, fingerprint and QR code modules for various unlock methods

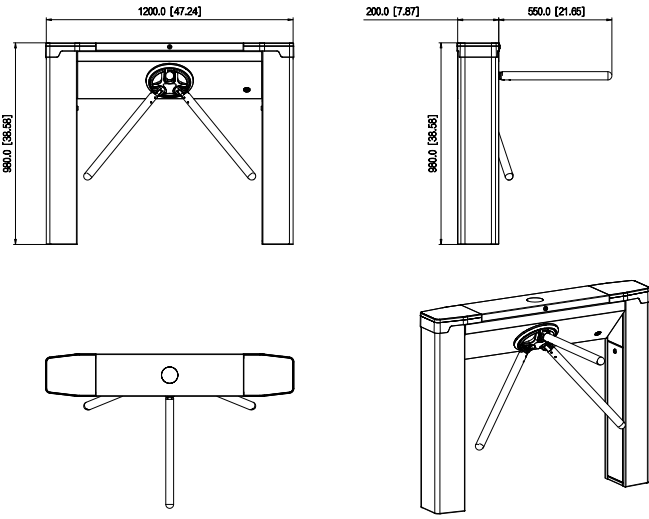
General

Net Weight	37 kg (81.57 lb)
Gross Weight	60 kg (132.28 lb)
Protection Grade	IPX4
Power Consumption	Standby ≤ 10 W; working: ≤ 40 W
Operating Temperature	–25 °C to +70 °C (–13 °F to +158 °F)
Operating Humidity	5%–93% (RH), non-condensing
Operating Environment	Indoor and outdoor

Ordering Information

Type	Model	Description
Tripod turnstile	DHI-ASGG520T	Tripod turnstile for outdoor use
Cabinet	DHI-ASGG500T	An empty cabinet for all necessary components to form a tripod turnstile

Dimensions (mm[inch])



Application

